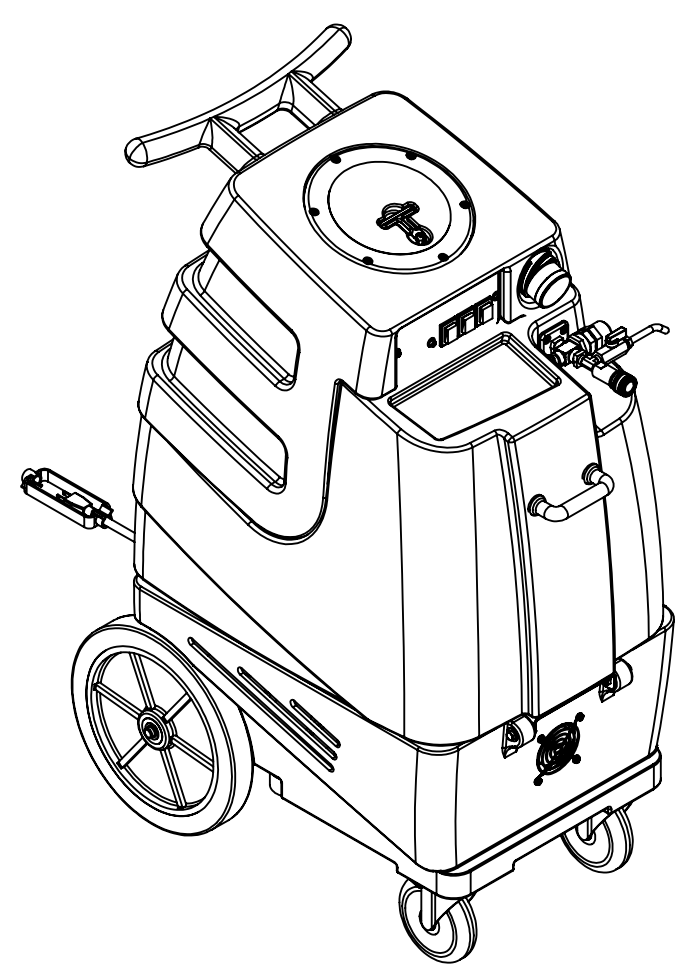


ITEM NO.	PART NO.	DESCRIPTION	QTY.	MSRP
1	C317	fan, cooling, 115V	1	\$21.49 ea
2	H343	screw, #10 x 5/8" hex head, zinc	12	\$0.99 ea
3	H296	guard, cooling fan, wire	3	\$2.99 ea
4	H216	nut, lock, 1/4-20 nylon insert	13	\$0.99 ea
5	H210	washer, 1/4" flat, s/s	19	\$0.99 ea
6	H202	bolt, 1/4-20 x 3/4" hex head, s/s	8	\$0.99 ea
7	H666	caster, 5"	2	\$23.19 ea
8	H254	washer, axle, cut 1/2" id	4	\$0.99 ea
9	H251	wheel, 12"	2	\$41.99 ea
10	H219	cap, axle, 1/2"	2	\$0.99 ea
11	H371	axle, 18.25" x .50" dia	1	\$9.99 ea
12	H221	nut, lock, 1/2" steel	1	\$1.99 ea
13	H220	fitting, strain relief, cord	1	\$3.19 ea
14	E550	power cord, pigtail, 30', 12/3, black	1	\$11.49 ea
15	G131	connector, cord lock	1	\$4.99 ea
16	H768	bolt, 1/4-20 x 3/4" serrated hex flange, zinc	11	\$0.99 ea
17	H601	plate, manifold, parallel	1	\$13.49 ea
18	P750	manifold, dual vac, parallel	1	\$15.99 ea
19	G004	gasket, vacuum motor	2	\$8.99 ea
20	H500	vac support, 2 stage, 3-1/8"	6	\$3.99 ea
21	G059	exhaust boot, plastisol	2	\$4.99 ea
22	C310	vac motor, 2 stage high performance	2	\$103.99 ea
23	H544	cuff hose, 2 X 2, wire reinforced	1	\$12.49 ea
24	PH628-24	vac hose, 2", wire reinforced	1	\$8.99/ft
25	H217	clamp, hose, 2-1/4 dia	3	\$1.49 ea
26	H201	bolt, 1/4-20 x 1/2", hex head, zinc	8	\$0.99 ea
27	PH615-26	sol hose, 1/2" kuri 100psi	1	\$8.99/ft
28	H347	clamp, hose, 5/16-29/32	4	\$1.99 ea
29	B160	adapter, brass, 1/2" barb x 3/8" fsw, ball end	1	\$3.49 ea
30	B186	elbow, brass, 90 deg, 3/8"mpt x 3/8" fmpt	1	\$8.99 ea
31	B136	elbow, brass, 90 deg, 1/4" mpt x 1/4" mpt	1	\$4.99 ea
32	B105	bushing, brass, 3/8"mpt x 1/4"	1	\$3.19 ea
33	H299	washer, 11/16" id x 1-1/2" od x .075, s/s	5	\$0.99 ea
34	H222	screw, #10-32 x 1-1/4" phil pan head, zinc	4	\$0.99 ea
35	C305	pump, 120psi, demand, 115V	1	\$151.99 ea
36	B172	elbow, brass, 90 deg, 1/2" barb x 3/8"mpt	1	\$9.49 ea
37	H273	nut, kep, #10-32 zinc	6	\$0.99 ea
38	P731	base, speedster	1	\$141.99 ea
39	P732	sol tank, speedster	1	\$141.99 ea
40	H215	nut, hex, 1/4-20 s/s	2	\$0.99 ea
41	H213	washer, 1/4" lock, s/s	4	\$0.99 ea
42	H211	washer, 1/4" id x 1" od, flat, s/s	6	\$0.99 ea
43	G052	washer, buna 1-1/8" od x 3/16" id	6	\$1.99 ea
44	H203	bolt, 1/4-20 x 1-1/4" hex head	2	\$0.99 ea
45	H770	bolt, 1/4-20 x 1/2" serrated hex flange, zinc	8	\$0.99 ea
46	H912	bracket, rear, fb/spy	1	\$9.99 ea
47	H307	washer, star, 1/4" steel zinc	2	\$0.99 ea
48	B216	nipple, brass, 3/8" x close	1	\$1.99 ea
49	B210	bushing, brass, 1/2"mpt x 3/8" fpt, hex	1	\$2.49 ea
50	B119A	filter, strainer, 1/2"	1	\$6.49 ea
51	H316	bolt, 1/4-20 x 1-1/2" hex head, s/s	2	\$0.99 ea
52	H378	bracket, front hinge, sp/fb	1	\$8.99 ea
53	H485	handle, breeze and dx	1	\$6.99 ea
54	AH120	sol hose, 28" x 1/4", 1/4 fpt	1	\$35.49 ea
55	B107	nipple, brass, 1/4"m, hex	2	\$3.19 ea
56	PH634-20	sol hose, 1/4", 300 PSI	1	\$6.49 ft
57	G034	grommet, rubber, 3/4" ID x 1-5/8" OD	1	\$0.99 ea
58	B109	adapter, brass, 1/4" barb x 1/4" mpt	2	\$1.99 ea
59	C322B	regulator, 200 PSI, blue spring	1	\$69.99 ea
60	B135	tee, brass, 1/4" mpt	1	\$5.49 ea

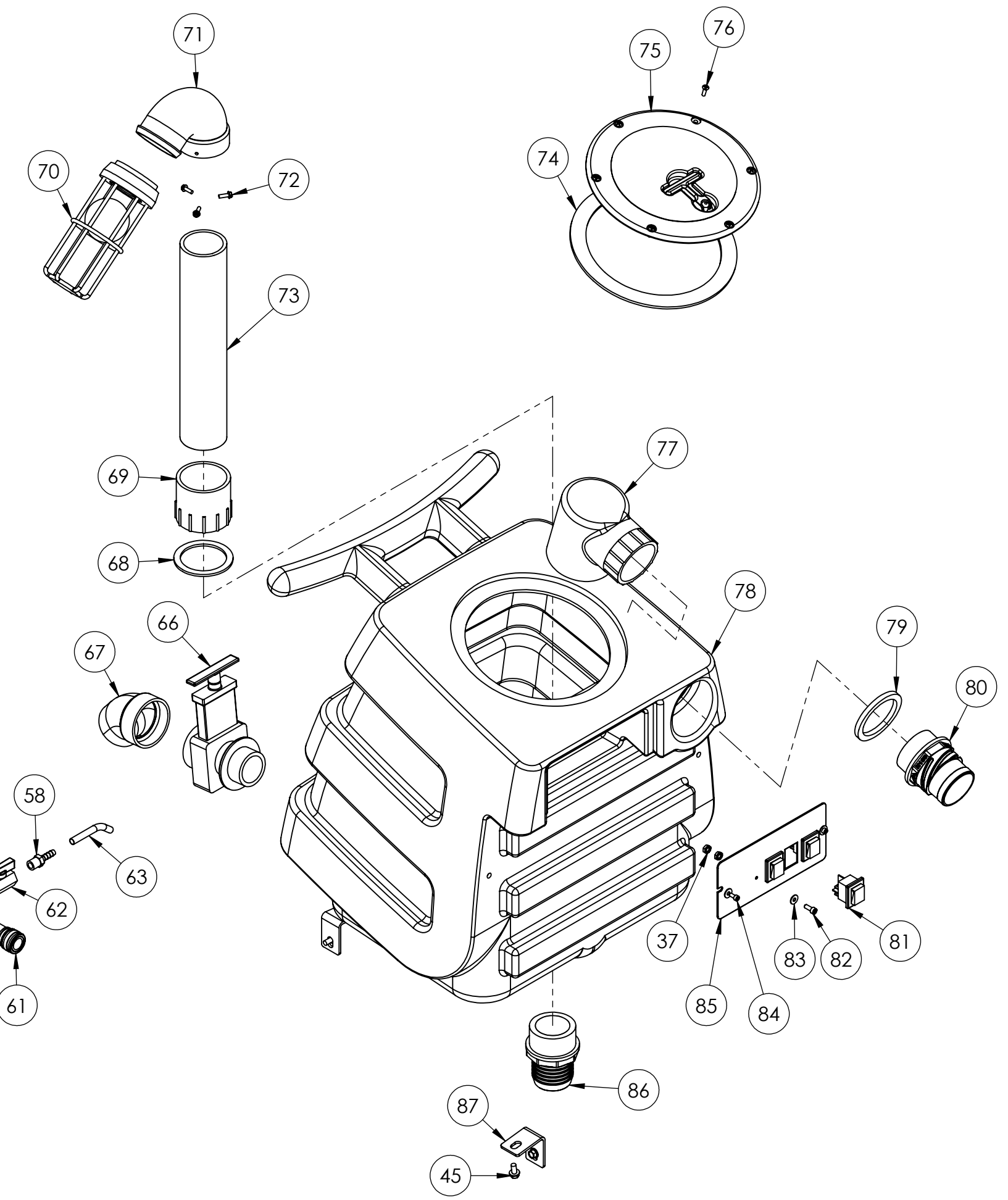
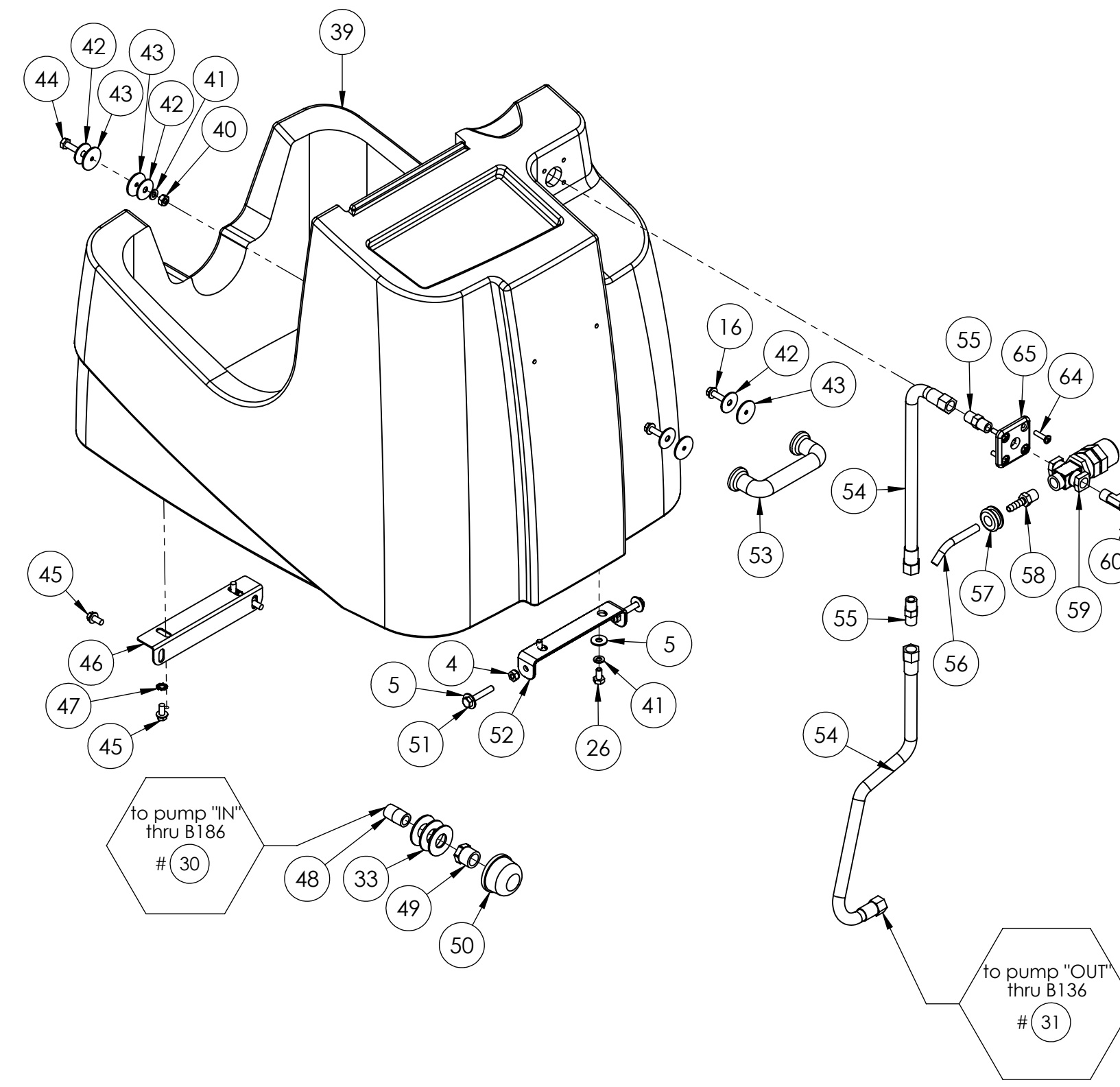
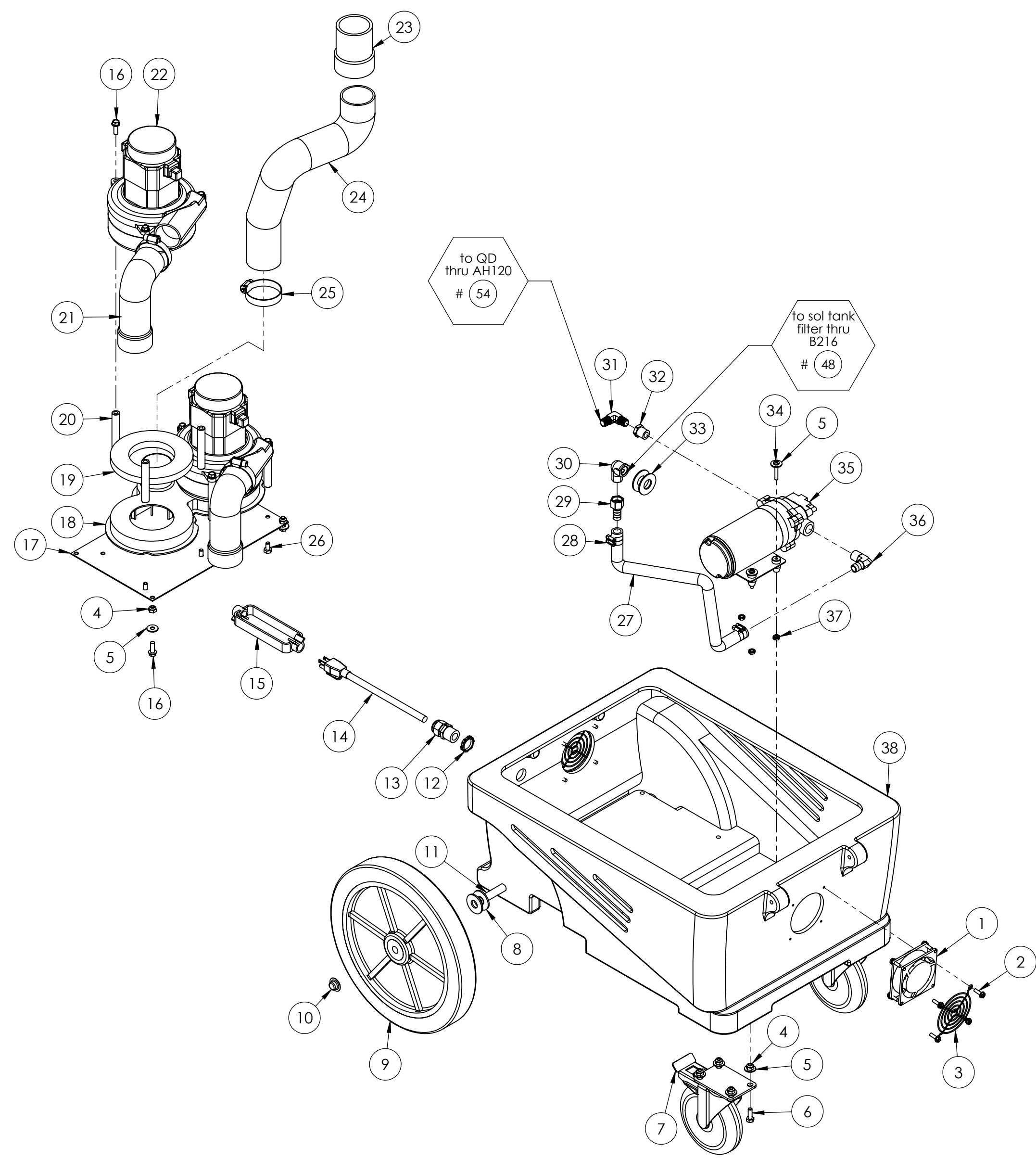
ITEM NO.	PART NO.	DESCRIPTION	QTY.	MSRP
61	B102	qd, brass, 1/4" f	1	\$17.99 ea
62	B656	ball valve, 1/4"	1	\$13.49 ea
63	PH634-36	sol hose, 1/4", 300 PSI	1	\$6.49 ft
64	H256	screw, #10-32 x 3/4" phil pan head, zinc	4	\$0.99 ea
65	H484	plate, mounting, QD	1	\$4.99 ea
66	H225	valve, drain, 1-1/2"	1	\$20.99 ea
67	H226	spout, drain, 45 degree	1	\$3.19 ea
68	G002	gasket, cam fitting polyethylene, 2.35" OD 1.90" ID	1	\$6.49 ea
69	P684	adaptor, pvc 2, fmsl x fmt	1	\$6.99 ea
70	H490	float, 2", ball style	1	\$18.49 ea
71	P726	elbow, 2" float	1	\$11.49 ea
72	H297	screw, #8 x 1/2", hex head, zinc	3	\$0.99 ea
73	P682	pipe, pvc, 2"	1	\$7.99/ft
74	G091	gasket, 7", vac lid	1	\$11.99 ea
75	G090	lid, vac tank, black, 7"	1	\$36.99 ea
76	H304	screw, #8 x 5/8 phil oval, s/s	6	\$0.99 ea
77	A926	elbow, inlet assembly 2"	1	\$15.99 ea
78	P733	vac tank, speedster	1	\$190.99 ea
79	G083	gasket, 2" inlet	1	\$2.49 ea
80	H135	Cuff-Lynx, 2" m cuff x 2" mpt	1	\$3.99 ea
81	E515	switch, rocker, 2 position	3	\$13.99 ea
82	H389	screw, #10-32 x 1/2" SHCS, alloy	1	\$0.99 ea
83	H612	washer, #8 flat, s/s	3	\$0.99 ea
84	H246	screw, #8-32 x 3/8" SHCS, alloy	2	\$0.99 ea
85	H338	plate, switch, sp, 3 hole	1	\$6.99 ea
86	P685	inlet, 2"	1	\$10.99 ea
87	H390A	bracket, "L" (all extracters)	2	\$6.99 ea

ITEMS NOT SHOWN

PART NO.	DESCRIPTION	QTY	MSRP
G008	piglet filter	1	\$6.29 pak
G085	gasket, strip, 3/4" x 36" x 1/8"	1	\$4.99 ea
H375	hanger, wire formed, hose	1	\$10.99 ea
H230	screw, 10-32 x 1/2" phil pan head, s/s	2	\$0.99 ea
G029	banana bag, mesh bag, yellow	1	\$3.99 ea
H141	Cuff-Lynx, 2" x 1.5" reducer	1	\$3.99 ea
H110	Cuff-Lynx, 2" hose x 2" fem swivel Cuff-Lynx	1	\$3.99 ea
E530	power cord, ext 50', 12/3 black	1	\$74.99 ea



NAME	DATE	MYTEE PRODUCTS, INC. <small>858-679-1191</small>
DRAWN	M LaBarbera 8/5/11	
CHECKED		
PROPRIETARY AND CONFIDENTIAL <small>THE INFORMATION CONTAINED IN THIS DRAWING IS THE SOLE PROPERTY OF MYTEE PRODUCTS, INC. ANY REPRODUCTION IN PART OR AS A WHOLE WITHOUT THE WRITTEN PERMISSION OF MYTEE PRODUCTS, INC. IS PROHIBITED.</small>		speedster
SIZE	DWG. NO.	REV
	C 1000DX-200	
SCALE: 1:48	DO NOT SCALE DRAWING	SHEET 1 OF 2



to QD
thru AH120
(54)

to sol tank
filter thru
B216
(48)

to pump "IN"
thru B186
(30)

to pump "OUT"
thru B136
(31)

NAME	DATE	MYTEE PRODUCTS, INC. 850-679-1191
M. LaBarbera	8/5/11	
DRAWN		TITLE:
CHECKED		speedster
PROPRIETARY AND CONFIDENTIAL THE INFORMATION CONTAINED IN THIS DRAWING IS THE SOLE PROPERTY OF MYTEE PRODUCTS, INC. ANY REPRODUCTION IN PART OR AS A WHOLE WITHOUT THE WRITTEN PERMISSION OF MYTEE PRODUCTS, INC. IS PROHIBITED.		SIZE DWG. NO. REV
		D 1000DX-200
SCALE: 1:48	DO NOT SCALE DRAWING	SHEET 2 OF 2