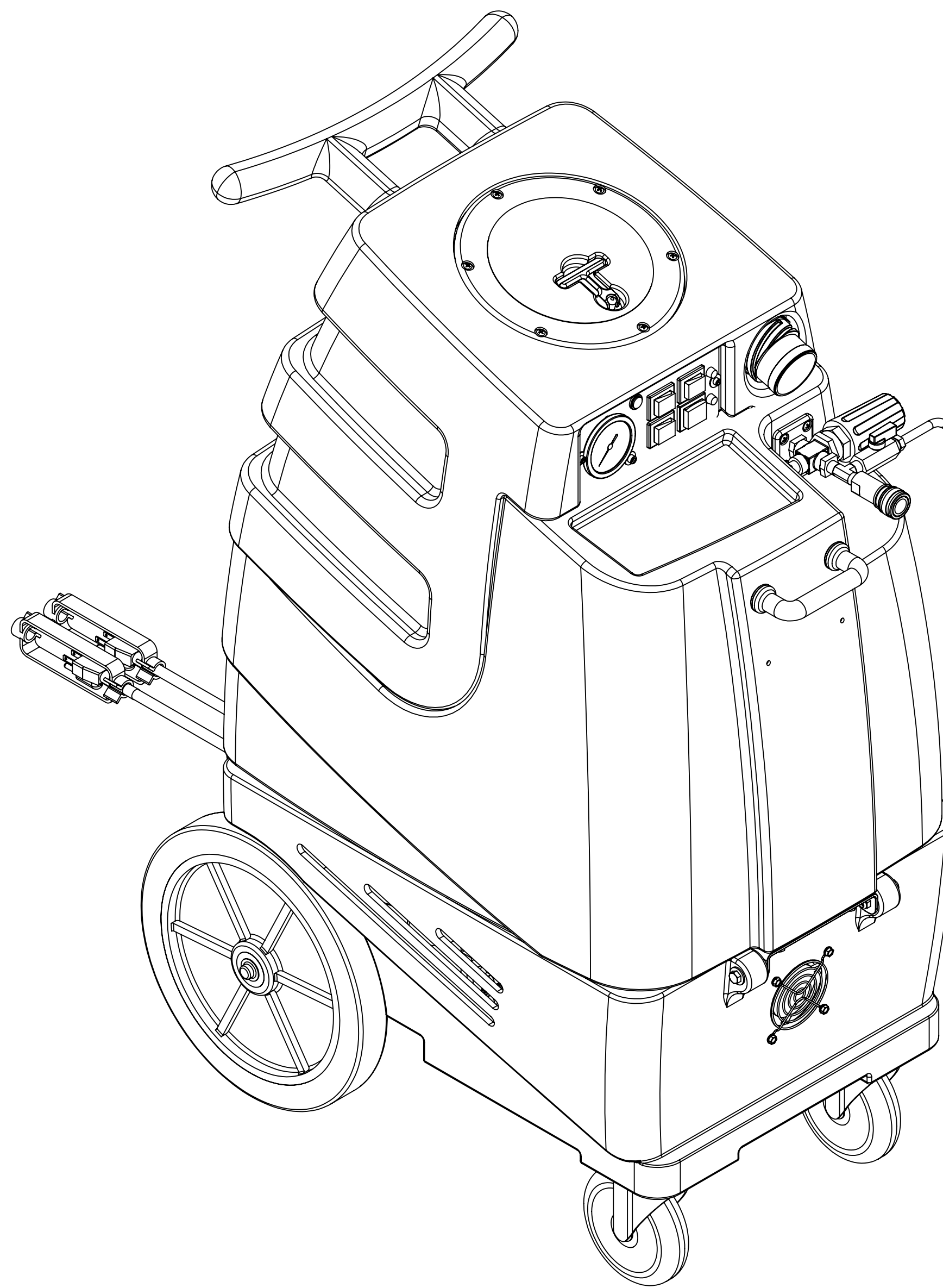


ITEM NO.	PART NO.	DESCRIPTION	QTY.	MSRP
1	H296	guard, cooling fan, wire	3	\$2.99 ea
2	H343	screw, #10 x 5/8" hex head zinc	12	\$0.99 ea
3	C317	fan, cooling, 115V	1	\$21.49 ea
4	H216	nut, lock, 1/4-20 nylon insert	16	\$0.99 ea
5	H210	washer, 1/4" flat, s/s	20	\$0.99 ea
6	H666	caster, 5"	2	\$23.19 ea
7	H342	bolt, 1/4-20 x 1" hex head, s/s	12	\$0.99 ea
8	P731	base, speedster	1	\$141.99 ea
9	H254	washer, axle, cut 1/2" id	4	\$0.99 ea
10	H251	wheel, 12"	2	\$41.99 ea
11	H219	cap, axle, 1/2"	2	\$0.99 ea
12	H371	axle, 18.25" x .50" dia	1	\$9.99 ea
13	H221	nut, lock, 1/2" steel	2	\$1.99 ea
14	H220	fitting, strain relief, cord	2	\$3.19 ea
15	E550	power cord, pigtail, 30', 12/3, black	2	\$11.49 ea
16	G131	connector, cord lock	2	\$4.99 ea
17	H903A	heater, aluminum cast, single	2	\$78.99 ea
18	H528	bracket, heater mounting, dual	1	\$29.99 ea
19	H256	screw, #10-32 x 3/4" phil pan head, zinc	6	\$0.99 ea
20	H273	nut, kep, #10-32 zinc	4	\$0.99 ea
21	E519	heating rod, 1000W, 115V	1	\$51.99 ea
22	E574	Thermostat, 310°F ± 10°F, Manual, 1/4"	2	\$17.99 ea
23	H274	phil pan head screw zinc, 6-32 x 3/16"	10	\$0.99 ea
24	E573	Thermostat, 200°, Auto, 1/4"	2	\$16.49 ea
25	E571	heating rod, 600W, 115V	1	\$49.99 ea
26	B103	elbow, brass, 90 deg, 1/4"mpt x 1/4" fpt	7	\$4.49 ea
27	AH156	hose, 3/8" x 6.5', (OAL), f x fsw, 5400 Gray	1	\$23.99 ea
28	AH105	hose, 3/8" x 17-1/2', (OAL), f	1	\$31.99 ea
29	H201	bolt, 1/4-20 x 1/2", hex head, zinc	8	\$0.99 ea
30	H601	plate, manifold, parallel	1	\$13.49 ea
31	P750	manifold, dual vac, parallel	1	\$15.99 ea
32	H768	bolt, 1/4-20 x 3/4" serrated hex flange, zinc	10	\$0.99 ea
33	H770	bolt, 1/4-20 x 1/2" serrated hex flange, zinc	8	\$0.99 ea
34	G059	exhaust boot, plastisol	2	\$4.99 ea
35	G004	gasket, vacuum motor	2	\$8.99 ea
36	C302	vac motor, 3 stage, 120V, tangential	2	\$139.99 ea
37	H501	vac support, 3 stage, 4-1/16"	6	\$4.99 ea
38	H217	clamp, hose, 2-1/4 dia	3	\$1.49 ea
39	PH628-20	vac hose, 2", wire reinforced	1	\$8.99/ft
40	H544	cuff hose, 2 X 2, wire reinforced	1	\$12.49 ea
41	AH108S	sol hose, 1/4" x 24 1/2', (OAL)	2	\$26.49 ea
42	AH184	hose, 3/8" x 14-1/2' (OAL), f surge	1	\$27.99 ea
43	B135	tee, brass, 1/4" mpt	2	\$5.49 ea
44	B105	bushing, brass, 3/8"mpt x 1/4"	1	\$3.19 ea
45	B246	plug, brass, 3/8" mpt, hex	5	\$1.99 ea
46	C313	pump, 500 psi, 115V	1	\$588.99 ea
47	B242	tee, brass, 3/8" fpt x 3/8" mpt x 3/8" fpt	1	\$13.99 ea
48	B172	elbow, brass, 90 deg, 1/2" barb x 3/8"mpt	3	\$9.49 ea
49	B160	adapter, brass, 1/2" barb x 3/8" fsw, ball end	1	\$3.49 ea
50	PH615-36	sol hose, 1/2" kuri 100psi	1	\$8.99/ft
51	H347	clamp, hose, 5/16-29/32	8	\$1.99 ea
52	PH615-12	sol hose, 1/2" kuri 100psi	1	\$8.99/ft
53	B119A	filter, strainer, 1/2"	1	\$6.49 ea
54	B210	bushing, brass, 1/2"mpt x 3/8" fpt, hex	1	\$2.49 ea
55	H299	washer, 11/16" id x 1-1/2" od x .075, s/s	5	\$0.99 ea
56	B216	nipple, brass, 3/8" x close	1	\$1.99 ea
57	B186	elbow, brass, 90 deg, 3/8"mpt x 3/8" fmpt	1	\$8.99 ea
58	H912	bracket, rear, fb/spy	1	\$9.99 ea
59	H390A	bracket, "L" (all extracters)	2	\$6.99 ea
60	P732	sol tank, speedster	1	\$141.99 ea
61	H203	bolt, 1/4-20 x 1-1/4" hex head	2	\$0.99 ea
62	H211	washer, 1/4" id x 1" od, flat, s/s	6	\$0.99 ea
63	G052	washer, buna 1-1/8" od x 3/16" id	6	\$1.99 ea
64	H213	washer, 1/4" lock, s/s	4	\$0.99 ea
65	H215	nut, hex, 1/4-20 s/s	2	\$0.99 ea
66	H485	handle, breeze and dx	1	\$6.99 ea
67	AH120	sol hose, 28" x 1/4", 1/4 fpt	1	\$35.49 ea
68	B107	nipple, brass, 1/4"m, hex	3	\$3.19 ea
69	H484	plate, mounting, QD	1	\$4.99 ea
70	C313C	regulator, 450 psi, silver spring	1	\$86.99 ea
71	B656	ball valve, 1/4"	1	\$13.49 ea

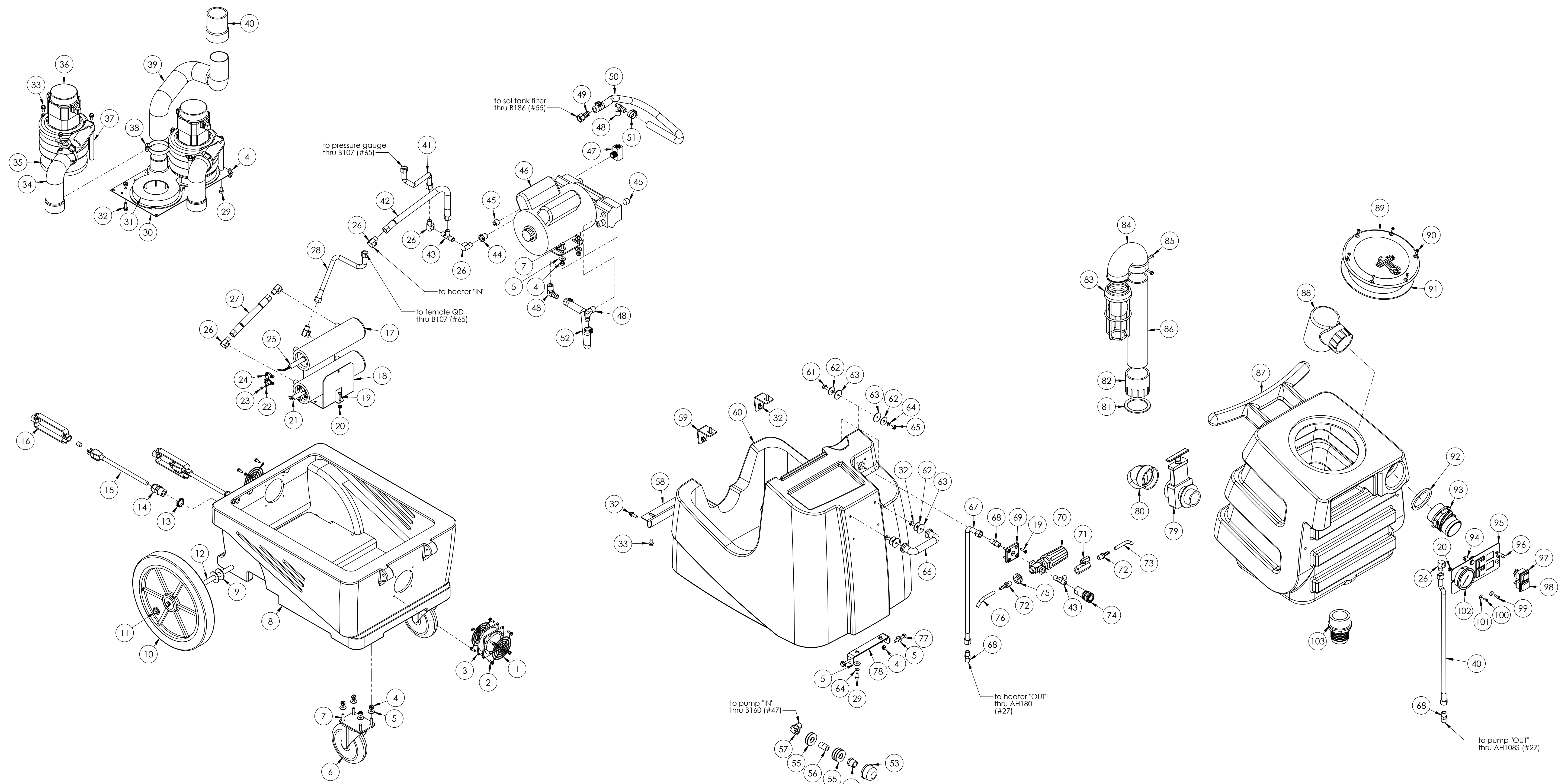
ITEM NO.	PART NO.	DESCRIPTION	QTY.	MSRP
72	B109	adapter, brass, 1/4" barb x 1/4" mpt	2	\$1.99 ea
73	PH634-36	sol hose, 1/4", 300 PSI	1	\$6.49 ft
74	B102	qd, brass, 1/4" f	1	\$17.99 ea
75	G034	grommet, rubber, 3/4" ID x 1-5/8" OD	1	\$0.99 ea
76	PH634-20	sol hose, 1/4", 300 PSI	1	\$6.49 ft
77	H316	bolt, 1/4-20 x 1-1/2" hex head, s/s	2	\$0.99 ea
78	H378	bracket, front hinge, sp/fb	1	\$8.99 ea
79	H225	valve, drain, 1-1/2"	1	\$20.99 ea
80	H226	spout, drain, 45 degree	1	\$3.19 ea
81	G002	gasket, cam fitting polyethylene, 2.35" OD 1.90" ID	1	\$6.49 ea
82	P684	adaptor, pvc 2, fmsl x fmsl	1	\$6.99 ea
83	H490	float, 2", ball style	1	\$18.49 ea
84	P726	elbow, 2" float	1	\$11.49 ea
85	H118	screw, 10 x 3/4, self-tap, hex head, zinc	3	\$0.99 ea
86	P682	pipe, pvc, 2"	1	\$7.99/ft
87	P733	vac tank, speedster	1	\$190.99 ea
88	A926	elbow, inlet assembly 2"	1	\$15.99 ea
89	G090	lid, vac tank, black, 7"	1	\$36.99 ea
90	H304	screw, #8 x 5/8 phil oval, s/s	6	\$0.99 ea
91	G091	gasket, 7", vac lid	1	\$11.99 ea
92	G083	gasket, 2" inlet	1	\$2.49 ea
93	H135	Cuff-Lynx, 2" m cuff x 2" mpt	1	\$3.99 ea
94	E512B	light, indicator, 125v (amber)	1	\$9.99 ea
95	H337	plate, switch, sp, 4 hole w/gauge	1	\$8.99 ea
96	E511	light, red, 250v	2	\$5.99 ea
97	E515	switch, rocker, 2 position	3	\$13.99 ea
98	E516	switch, rocker, 3 position	1	\$14.99 ea
99	H389	screw, #10-32 x 1/2" SHCS, alloy	1	\$0.99 ea
100	H246	screw, #8-32 x 3/8" SHCS, alloy	2	\$0.99 ea
101	H289	washer, #10 flat, s/s	3	\$0.99 ea
102	H308D	gauge, pressure, 2000 PSI	1	\$38.99 ea
103	P685	inlet, 2"	1	\$10.99 ea

Items Not Shown

PART NO.	DESCRIPTION	QTY	MSRP
E530	power cord, ext, 50', 12/3, black	2	\$74.99 ea
E564	controller, circuit light	1	\$62.49 ea
G008	piglet filter	1	\$6.29 pak
G029	Banana bag, mesh bag, yellow	1	\$3.99 ea
G085	gasket, strip, 3/4" x 36" x 1/8"	1	\$4.99 ea
H140	Cuff-Lynx, female swivel x female thread 2"	1	\$3.99 ea
H141	Cuff-Lynx, 2" to 1.5" reducer	1	\$3.99 ea
H230	screw, 10-32 x 1/2", phil pan head, s/s	2	\$0.99 ea
H375	hanger, wire formed, hose	1	\$10.99 ea



NAME	DATE	mytee PRODUCTS, INC. 888-679-1191		
DRAWN M. LaBarbera	7/28/11	TITLE:		
CHECKED		speedster		
PROPRIETARY AND CONFIDENTIAL THE INFORMATION CONTAINED IN THIS DRAWING IS THE SOLE PROPERTY OF MYTEE PRODUCTS, INC. ANY REPRODUCTION IN PART OR AS A WHOLE WITHOUT THE WRITTEN PERMISSION OF MYTEE PRODUCTS, INC. IS PROHIBITED.		SIZE D	DWG. NO. 1003DX	REV OD
SCALE: 1:8		DO NOT SCALE DRAWING	SHEET 1 OF 2	



NAME	DATE	MYTEE PRODUCTS, INC. 888-679-1191
M. LaBarbera	7/29/11	
TITLE:		speedster
DRAWN		
CHECKED		SIZE DWG. NO.
PROPRIETARY AND CONFIDENTIAL		D 1003DX
THE INFORMATION CONTAINED IN THIS DRAWING IS THE SOLE PROPERTY OF MYTEE PRODUCTS, INC. ANY REPRODUCTION IN PART OR AS A WHOLE WITHOUT THE WRITTEN PERMISSION OF MYTEE PRODUCTS, INC. IS PROHIBITED.		REV
		od
SCALE: 1:6		DO NOT SCALE DRAWING
		SHEET 2 OF 2