

ITEM NO.	PART NO.	DESCRIPTION	QTY.	MSRP
1	P756	base, firebird	1	\$147.99
2	H216	nut, lock, 1/4-20, nylon insert, s/s	12	\$0.99
3	H210	washer, 1/4" flat, s/s	18	\$0.99 ea
4	H667	caster, 3", Black Hub, Gray Tread	2	\$14.99 ea
5	H342	bolt, 1/4-20 x 1" hex head, s/s	8	\$0.99
6	H213	washer, 1/4" lock, s/s	4	\$0.99 ea
7	H296	guard, cooling fan, wire	2	\$2.99 ea
8	H343	screw, #10 x 5/8" hex head, zinc	9	\$0.99 ea
9	C305	pump, 120psi, demand, 115V	1	\$151.99 ea
10	B172	elbow, brass, 90 deg, 1/2" barb x 3/8"mpt	1	\$9.49 ea
11	PH615-26	sol hose, 1/2" kuri, 100 psi	1	\$8.99/ft
12	B160	adapter, brass, 1/2" barb x 3/8" fsw, ball end	1	\$3.49 ea
13	H347	clamp, hose, 5/16-29/32	4	\$1.99 ea
14	H222	screw, #10-32 x 1-1/4" phil pan head, zinc	4	\$0.99 ea
15	H273	nut, kep, #10-32 zinc	4	\$0.99 ea
16	B105	bushing, brass, 3/8"mpt x 1/4"	1	\$3.19 ea
17	B136	elbow, brass, 90 deg, 1/4" mpt x 1/4" mpt	1	\$4.99 ea
18	AH108S	sol hose, 1/4" x 24 1/2", (OAL)	1	\$26.49 ea
19	H202	bolt, 1/4x20x3/4" hex head	3	\$0.99
20	H768	bolt, 1/4-20 x 3/4" serrated hex flange, zinc	5	\$0.99 ea
21	H330	plate, single manifold, 6.5" x 9"	1	\$7.99 ea
22	H501	vac support, 3 stage, 4-1/16"	3	\$4.99 ea
23	P735	manifold, single vac, no gasket	1	\$14.99 ea
24	G004	gasket, vacuum motor	1	\$8.99 ea
25	PH627-24	vac hose, 1-1/2", black, wire reinforced	1	\$6.49/ft
26	H300	cuff, black 1-1/2"	1	\$5.99 ea
27	H217	clamp, hose, 2-1/4 dia	2	\$1.49 ea
28	G059	exhaust boot, plastisol	1	\$4.99 ea
29	C302	vac motor, 3 stage, 120V, tangential	1	\$139.99 ea
30	H221	nut, lock, 1/2" steel	1	\$1.99 ea
31	H220	fitting, strain relief, cord	1	\$3.19 ea
32	E532	power cord, end, 25', 14/3	1	\$44.99 ea
33	H254	washer, axle, cut 1/2" id	2	\$0.99 ea
34	H224	axle, 17.50" x .50" dia, fb	1	\$9.99 ea
35	H239	wheel, 8"	2	\$28.99 ea
36	H219	cap, axle, 1/2"	2	\$0.99 ea
37	P757	sol tank, firebird	1	\$149.99 ea
38	H215	nut, hex, 1/4-20 s/s	2	\$0.99 ea
39	H211	washer, 1/4" id x 1" od, flat, s/s	4	\$0.99
40	G052	washer, buna 1-1/8" od x 3/16" id	4	\$1.99 ea
41	H203	bolt, 1/4-20 x 1 1/4"	2	\$0.99 ea
42	H912	bracket, rear, fb/spy	1	\$9.99 ea
43	H307	washer, star, 1/4" steel zinc	4	\$0.99 ea
44	H770	bolt, 1/4-20 x 1/2" serrated hex flange, zinc	8	\$0.99 ea
45	H378	bracket, front hinge, sp/fb	1	\$8.99 ea
46	H201	bolt, 1/4-20 x 1/2", hex head, zinc	2	\$0.99 ea
47	H204	bolt, 1/4-20 x 1 3/4" hex head, s/s	2	\$0.99
48	B186	elbow, brass, 90 deg, 3/8"mpt x 3/8" fmpt	1	\$8.99 ea
49	H299	washer, 11/16" id x 1-1/2" od x .075, s/s	5	\$0.99 ea
50	B216	nipple, brass, 3/8" x close	1	\$1.99 ea

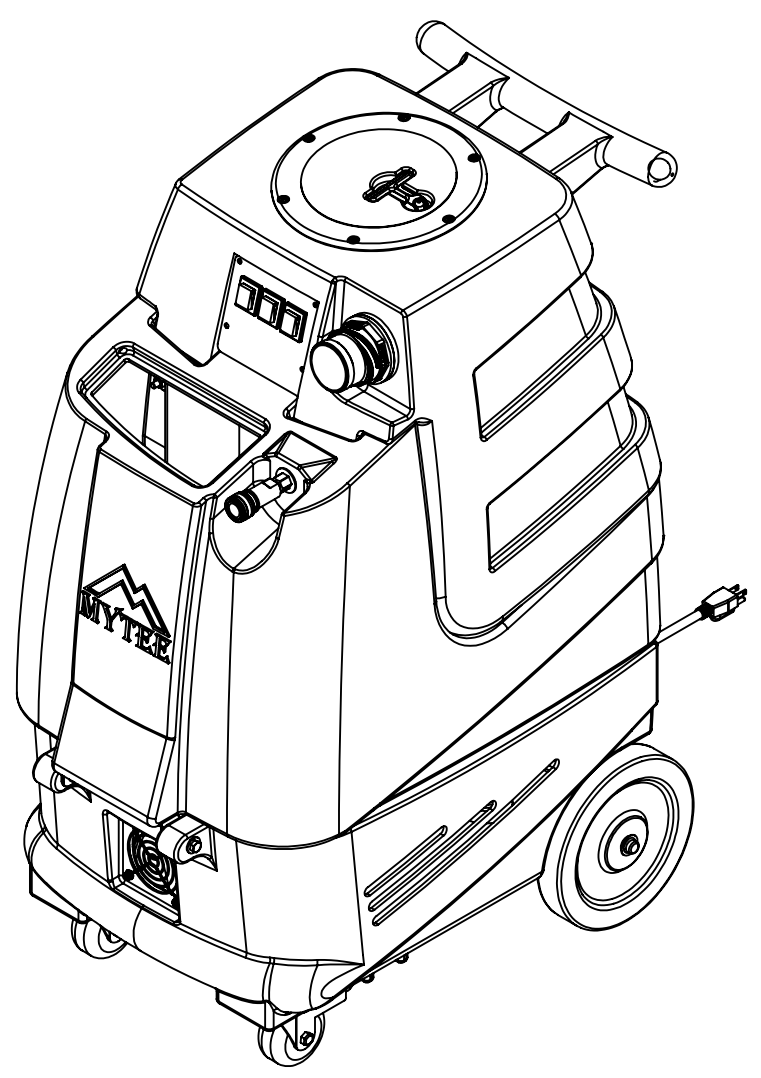
ITEM NO.	PART NO.	DESCRIPTION	QTY.	MSRP
51	B210	bushing, brass, 1/2"mpt x 3/8" fpt, hex	1	\$2.49 ea
52	B119A	filter, strainer, 1/2"	1	\$6.49 ea
53	B103	elbow, brass, 90 deg, 1/4"mpt x 1/4" fpt	2	\$4.49 ea
54	H212	washer, 9/16" id x 1" od, flat, s/s	4	\$0.99 ea
55	B107	nipple, brass, 1/4"m, hex	2	\$3.19 ea
56	B111	adapter, brass, extender, 1/4" mpt x 1/4" fpt, hex	1	\$3.49 ea
57	B102	qd, brass, 1/4" f	1	\$17.99 ea
58	AH105	hose, 3/8" x 17-1/2", (OAL)	1	\$31.99 ea
59	H244	adapter, pvc, 1-1/2" fms x fmpt	1	\$4.99 ea
60	PH633-11	pipe, pvc, 1-1/2"	1	\$4.99/Ft
61	H297	screw, 8 x 1/2", hex head, zinc	3	\$0.99 ea
62	P755	elbow, U, 180, 1-1/2", float	1	\$8.99 ea
63	H235	float, 1.5", ball style	1	\$19.99 ea
64	G091	gasket, 7", vac lid	1	\$11.99 ea
65	G090	lid, vac tank, black, 7"	1	\$36.99 ea
66	H304	screw, #8 x 5/8 phil oval, s/s	6	\$0.99 ea
67	H135	Cuff-Lynx, 2" m cuff x 2" mpt	1	\$3.99 ea
68	G083	gasket, 2" inlet	1	\$2.49 ea
69	A926	elbow, inlet assembly 2"	1	\$15.99 ea
70	P758	vac tank, firebird	1	\$186.99 ea
71	H225	valve, drain, 1-1/2"	1	\$20.99 ea
72	H390A	bracket, "L" (all extractors)	2	\$6.99 ea
73	H229	fitting, inlet, pvc, 1-1/2", gray	1	\$5.99 ea
74	H326	plate, switch, 3 hole, fb	1	\$6.99 ea
75	E515	switch, rocker, 2 position	3	\$13.99 ea

Items Not Shown

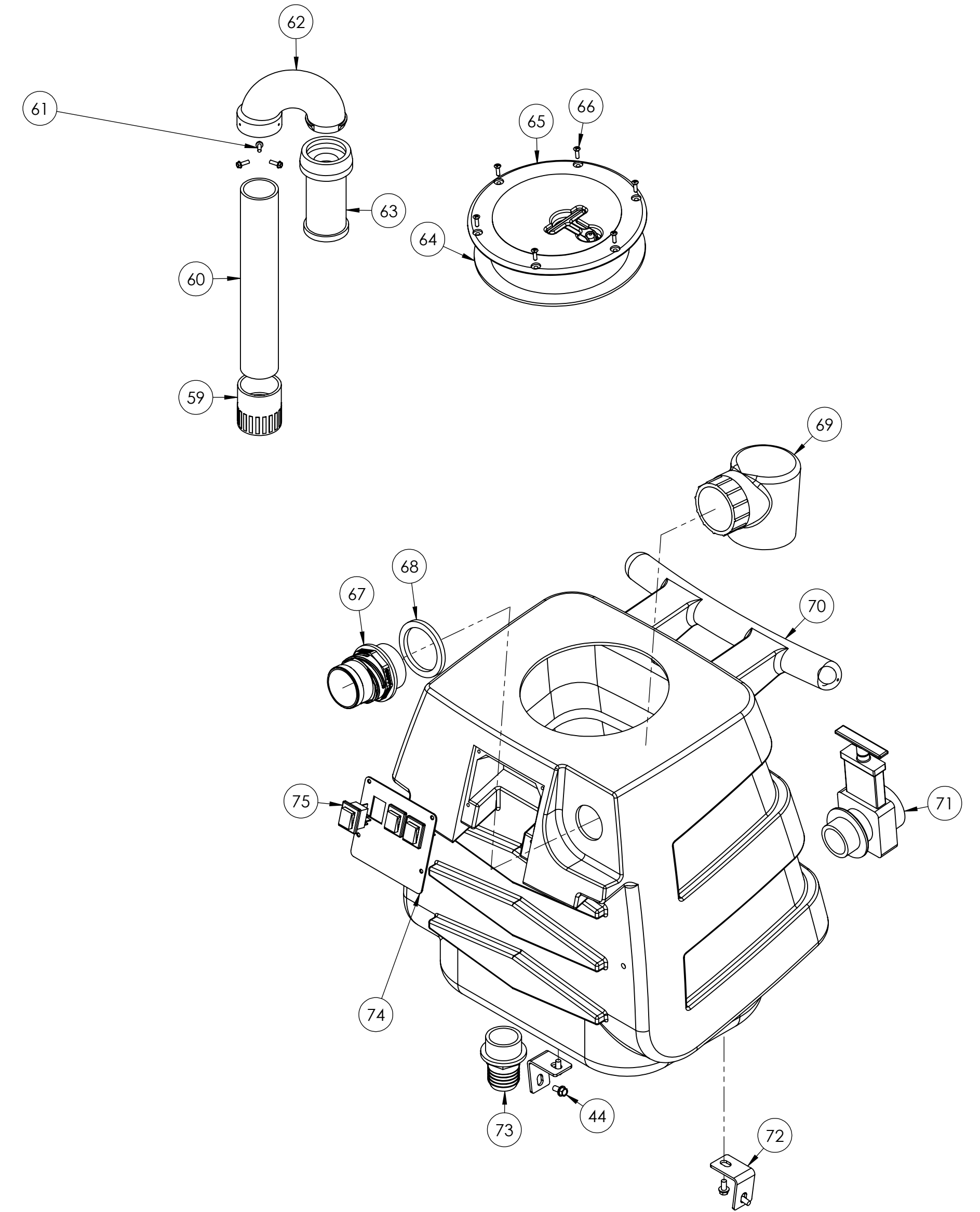
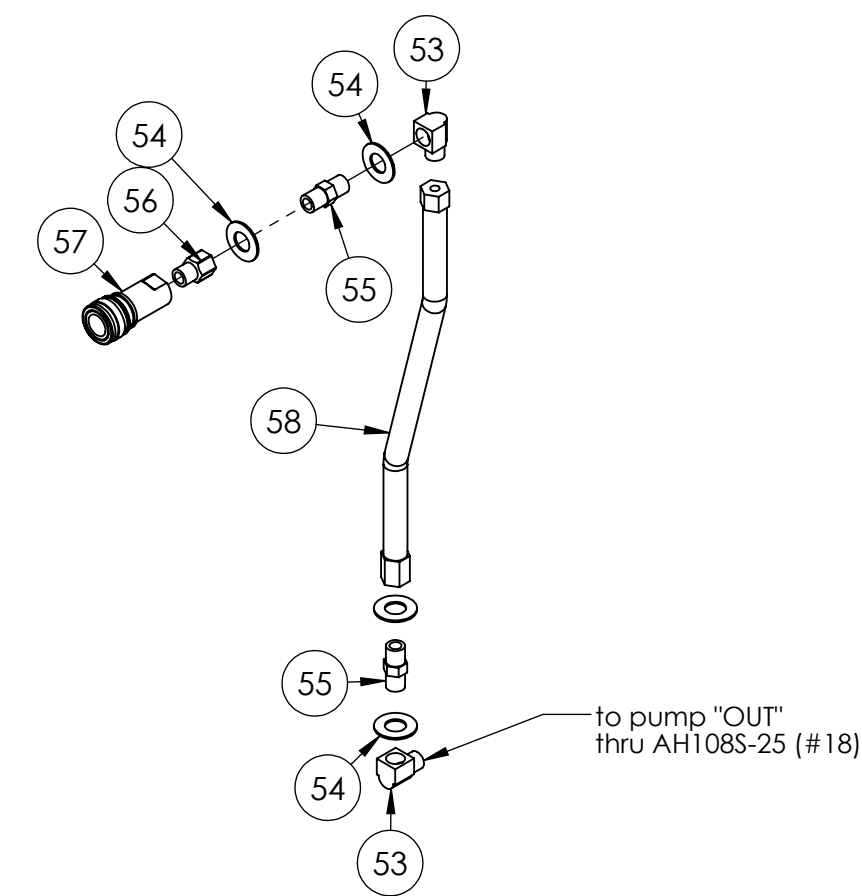
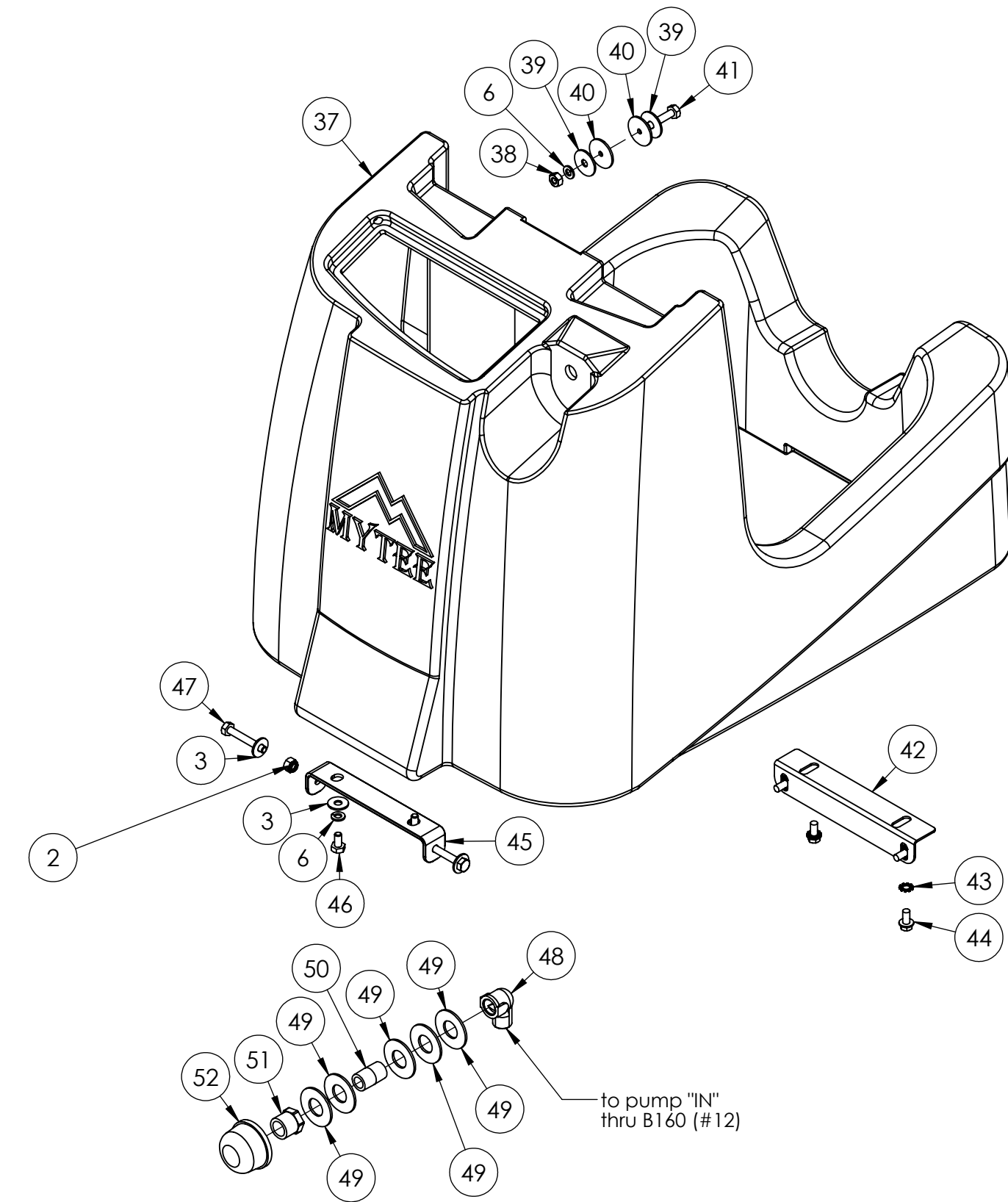
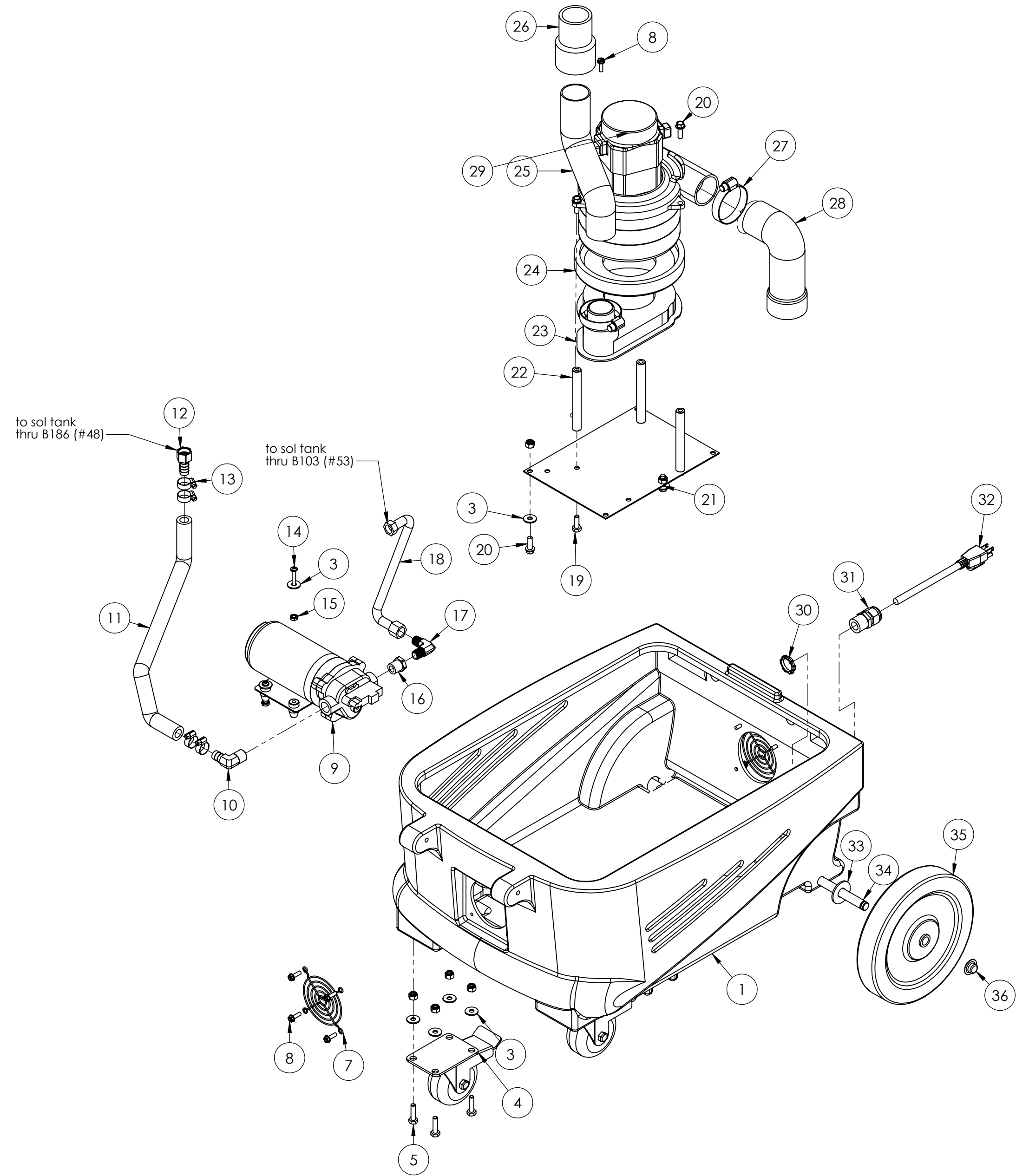
PART NO.	DESCRIPTION	QTY.	MSRP
G010	filter, bag, vac tank, drawstring	1	\$9.99 ea
G085	gasket strip, 3/4" x 36" x 1/8"	2	\$4.99 ea
G147	strap, velcro, w/buckle	1	\$3.49 ea
H434	plug, vent, heyco, 1/2"	2	\$4.48 ea

Accessories

PART NO.	DESCRIPTION	QTY.	MSRP
H141	cuff-lynx, 2" to 1.5" reducer	1	\$3.99 ea
8350C	wand, 12" collapsable, w/disconnects	1	\$159.99 ea
H226	spout, drain, 45 degree	1	\$3.19 ea
A942	sol hose, 1/4" x 16', 3000psi	1	\$71.99 ea
H295	vac hose, 1-1/2" 15' SW	1	\$42.00 ea
B101	quick disconnect, male, 1/4" male x 1/4" fpt	1	\$8.49 ea
B102	quick disconnect, 1/4" female x 1/4" fpt	1	\$17.99 ea
G147	strap, velcro, w/buckle	5	\$3.49 ea
AD127	stop sign register your product	1	n/a
ADM-CUFF-LYNX	cuff-lynx instruction guide	1	n/a



DRAWN		NAME	DATE	MYTEE PRODUCTS, INC. <small>858-679-1191</small>
CHECKED		D. Cano	2/28/12	
<small>PROPRIETARY AND CONFIDENTIAL THE INFORMATION CONTAINED IN THIS DRAWING IS THE SOLE PROPERTY OF MYTEE PRODUCTS, INC. ANY REPRODUCTION IN PART OR AS A WHOLE WITHOUT THE WRITTEN PERMISSION OF MYTEE PRODUCTS, INC. IS PROHIBITED.</small>				TITLE: contractors special
SCALE: 1:8	DO NOT SCALE DRAWING	SIZE DWG. NO.	REV	
		C 2000CS	OD	
				SHEET 1 OF 2



NAME	DATE	MYTEE PRODUCTS, INC. <small>888-679-1191</small>
DRAWN D Cano	2/28/12	
CHECKED		TITLE: contractors special
<small>PROPRIETARY AND CONFIDENTIAL THE INFORMATION CONTAINED IN THIS DRAWING IS THE SOLE PROPERTY OF MYTEE PRODUCTS, INC. ANY REPRODUCTION IN PART OR AS A WHOLE WITHOUT THE WRITTEN PERMISSION OF MYTEE PRODUCTS, INC. IS PROHIBITED.</small>		SIZE DWG. NO. REV D 2000CS od
SCALE: 1:5		DO NOT SCALE DRAWING SHEET 2 OF 2