

ITEM NO.	PART NO.	DESCRIPTION	QTY.	MSRP
1	H186	screw, 10-32 x 3/4", phil flat full thread, black oxide	4	\$0.99 ea
2	H210	washer, 1/4" flat, s/s	27	\$0.99 ea
3	H273	nut, kep, #10-32 zinc	14	\$0.99 ea
4	C381	pump out, 115v	1	\$187.49 ea
5	PH615-37	sol hose, 1/2" black, 200 psi 200 degree max	1	\$8.99/ft
6	H347	clamp, hose, 5/16-29/32	8	\$1.99 ea
7	B236	elbow, brass, 90 deg, 1/2" barb x 3/8" fpt	1	\$14.49 ea
8	H299	washer, 11/16" id x 1-1/2" od x .075, s/s	9	\$0.99 ea
9	PH615-17	sol hose, 1/2", black, 200 psi 200 degree max	1	\$8.99/ft
10	B132	adapter, brass, 1/2" barb x 1/2" mpt	1	\$9.49 ea
11	H191	washer, zinc, 1.625 x .847 x .078	2	\$0.99 ea
12	H219	cap, axle, 1/2"	2	\$0.99 ea
13	H251	wheel, 12"	2	\$41.99 ea
14	H254	washer, axle, cut 1/2" id	3	\$0.99 ea
15	H232	axle, 19.75" x .50"	1	\$9.99 ea
16	H296	guard, cooling fan, wire	4	\$2.99 ea
17	H343	screw, 10 x 5/8" hex head, zinc	18	\$0.99 ea
18	H668	caster, 4", black hub & gray tread	2	\$19.49 ea
19	H342	bolt, 1/4-20 x 1" hex head, s/s	8	\$0.99 ea
20	H216	nut, lock, 1/4-20 nylon insert	17	\$0.99 ea
21	H768	bolt, 1/4-20 x 3/4" serrated hex flange, zinc	13	\$0.99 ea
22	H211	washer, 1/4" id x 1" od, flat, s/s	8	\$0.99 ea
23	H485	handle, breeze and dx	2	\$6.99 ea
24	B130	45 deg, street elbow, brass, 1/4" male NPTF	2	\$5.49 ea
25	B107	nipple, brass, 1/4" m, hex	5	\$3.19 ea
26	H212	washer, 9/16" id x 1" od, flat, s/s	4	\$0.99 ea
27	B103	elbow, brass, 90 deg, 1/4" mpt x 1/4" fpt	8	\$4.49 ea
28	B656	ball valve, 1/4"	1	\$13.49 ea
29	B643	adapter, brass, 3/8" female npt x 1/4" male npt	1	\$4.99 ea
30	C317	fan, cooling, 115V	1	\$21.49 ea
31	P707	base, m series	1	\$196.99 ea
32	B210	bushing, brass, 1/2" mpt x 3/8" fpt, hex	3	\$2.49 ea
33	AH202	hose, pulse, 3/8" x 34", (OAL)	2	\$39.99 ea
34	B186	elbow, brass, 90 deg, 3/8" mpt x 3/8" fmp	3	\$8.99 ea
35	B105	bushing, brass, 3/8" mpt x 1/4"	5	\$3.19 ea
36	B644	adapter, brass, 1/2" barb x 1/4" mpt	1	\$2.49 ea
37	B242	tee, brass, 3/8" fpt x 3/8" mpt x 3/8" fpt	1	\$13.99 ea
38	B135	tee, brass, 1/4" mpt	1	\$5.49 ea
39	AH103	hose, 3/8" x 10", (OAL), f x f	2	\$30.49 ea
40	PH615A-9	solution hose, black, low pressure, 1/2"	1	\$5.99 ft
41	C313	pump, 500 psi, 115V	1	\$588.99 ea
42	H202	bolt, 1/4-20 x 3/4" hex head, s/s	10	\$0.99 ea
43	B123	adapter, brass, 1/2" barb x 1/4" fpt	1	\$4.99 ea
44	B246	plug, brass, 3/8" mpt, hex	4	\$1.99 ea
45	H486	latch, front breeze	2	\$13.99 ea
46	H221	nut, lock, 1/2" steel	2	\$1.99 ea
47	H220	fitting, strain relief, cord	2	\$3.19 ea
48	E550	power cord, pigtail, 30', 12/3, black	2	\$11.49 ea
49	G131	connector, cord lock	2	\$4.99 ea
50	H230	screw, 10-32 x 1/2 phil pan	18	\$0.99 ea
51	B642	swivel, brass, 3/4" fgh x 1/2" fpt	1	\$5.49 ea
52	B640	filter, 60 mesh, garden hose	1	\$1.99 ea
53	B221	plug, brass, 3/4", garden hose	1	13.99 ea
54	B120	cap, brass, 3/4", garden hose	1	\$1.49 ea
55	B196	fitting, brass, 3/4" mgh x 1/2" fpt	1	\$5.99 ea
56	P735	manifold, single vac, no gasket	2	\$14.99 ea
57	H544	cuff hose, 2 X 2, wire reinforced	2	\$12.49 ea
58	G059	exhaust boot, plastisol	2	\$4.99 ea
59	C302A	motor, 3-stage, 115 cfm, 14.5 amps	2	\$148.99 ea
60	H501	vac support, 3 stage, 4-1/16"	6	\$4.99 ea
61	G004	gasket, vacuum motor	2	\$8.99 ea
62	PH628-25	vac hose, 2", black wire reinforced	1	\$ 8.99/ft
63	H217	clamp, hose, 2-1/4 dia	4	\$1.49 ea
64	H253	plate, dual manifold, 9" x 13"	1	\$14.99 ea
65	AH117	hose, pulse, black, 1/4" fswl x 1/4" fswl, 40" (OAL)	1	ea
66	B111	adapter, brass, extender, 1/4" mpt x 1/4" fpt, hex	3	\$3.49 ea
67	B106	nipple, brass, 1/4" x close	2	\$3.49 ea
68	B142A	coupling, brass, 1/4" fpt x 1/4" fpt	1	\$4.49 ea
69	H484	plate, mounting, QD	1	\$4.99 ea
70	C313C	regulator, 450 psi, silver spring	1	\$86.99 ea
71	B104	bushing, brass, 1/4" mpt x 1/8" f	1	\$1.99 ea
72	G034	grommet, rubber, 3/4" ID x 1-5/8" OD	1	\$0.99 ea
73	B149	nipple, 1/8" npt x 2" long	1	\$8.49 ea
74	B143	street elbow, 90 degrees, 1/8"	1	\$4.49 ea
75	B102	qd, brass, 1/4" f	1	\$17.99 ea
76	B216	nipple, brass, 3/8" x close	2	\$1.99 ea
77	B119A	filter, strainer, 1/2"	1	\$6.49 ea
78	H378	bracket, front hinge, sp/fb	1	\$8.99 ea
79	H213	washer, 1/4" lock, s/s	4	\$0.99 ea
80	H201	bolt, 1/4-20 x 1/2", hex head, zinc	2	\$0.99 ea
81	H204	bolt, 1/4-20 x 1-3/4" hex head, s/s	2	\$0.99 ea

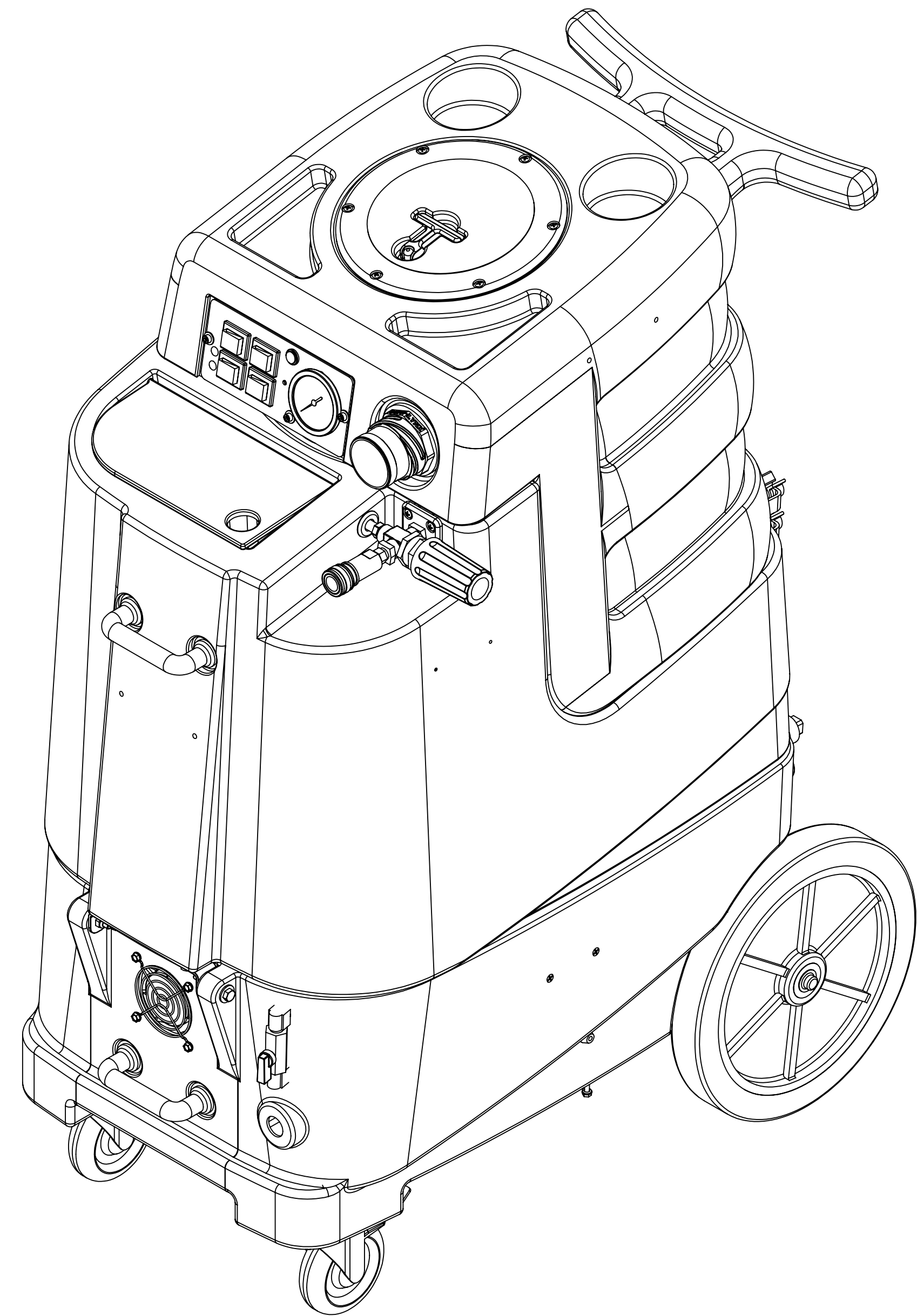
ITEM NO.	PART NO.	DESCRIPTION	QTY.	MSRP
82	G052	washer, buna 1-1/8" od x 3/16" id	6	\$1.99 ea
83	G212	cover, sol tank (m-series)	1	\$12.99 ea
84	B115	nipple, 12' x 1/4" npt, m x m	1	\$23.99 ea
85	H541-A	valve, float, autofill	1	\$124.99 ea
86	H215	nut, hex, 1/4-20 s/s	2	\$0.99 ea
87	H203	bolt, 1/4-20 x 1-1/4" hex head, s/s	2	\$0.99 ea
88	P708	sol tank, m series	1	\$210.99 ea
86	AH101	hose, pulse, black, 68" (OAL), 1/4" fsw x 3/8" msw	1	\$22.99 ea
90	H308D	gauge, pressure, 2000 PSI	1	\$38.99 ea
91	E515	switch, rocker, 2 position	4	\$13.99 ea
92	H389	screw, #10-32 x 1/2" SHCS, alloy	3	\$0.99 ea
93	H612	washer, #8 flat, s/s	3	\$0.99 ea
94	E512B	light, indicator, 125v (amber)	1	\$9.99 ea
95	H337	plate, switch, sp, 4 hole w/gauge	1	\$8.99 ea
96	H135	Cuff-Lynx, 2" m cuff x 2" mpt	1	\$3.99 ea
97	P684	adaptor, pvc 2, fmsl x fmt	2	\$6.99 ea
98	P682	pipe, pvc, 2"	2	\$7.99/ft
99	H490	float, 2", ball style	2	\$18.49 ea
100	P726	elbow, 2" float	2	\$11.49 ea
101	H297	screw, #8 x 1/2", hex head, zinc	6	\$0.99 ea
102	H304	screw, #8 x 5/8 phil oval, s/s	6	\$0.99 ea
103	G090	lid, vac tank, black, 7"	1	\$36.99 ea
104	G091	gasket, 7", vac lid	1	\$11.99 ea
105	A926	elbow, inlet assembly 2"	1	\$15.99 ea
106	P709	vac tank, m series	1	\$243.99 ea
107	H225	valve, drain, 1-1/2"	1	\$20.99 ea
108	H246	screw, #8-32 x 3/8" SHCS, alloy	1	\$0.99 ea
109	H390A	bracket, "L" (all extracters)	2	\$6.99 ea
110	H770	bolt, 1/4-20 x 1/2" serrated hex flange, zinc	4	\$0.99 ea
111	B119	filter, strainer, 1/4"	1	\$3.99 ea
109	AH203	hose, pulse, 3/8" x 34" (OAL)	1	\$47.99 ea
113	H333	mesh filter, auto dump, 1/2" npt	1	\$9.99 ea
114	P685	inlet, 2"	2	\$10.99 ea

**ITEMS NOT SHOWN**

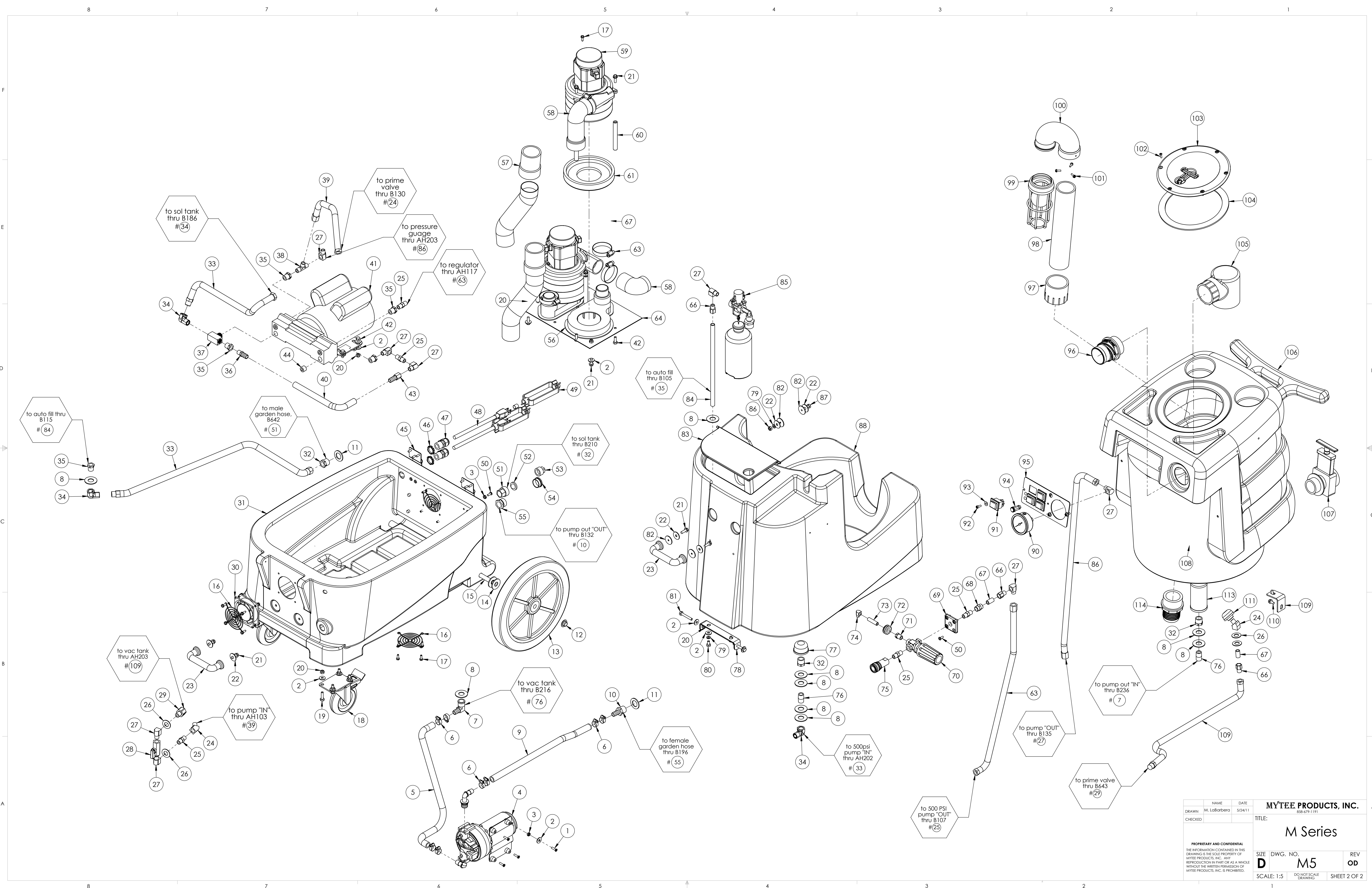
PART NO.	DESCRIPTION	QTY.	MSRP
E530	power cord, ext, 50', 12/3 black	2	\$74.99 ea
E564	controller, circuit light	1	\$62.49 ea
G008	piglet filter	1	\$6.29 pak

**ACCESSORIES**

PART NO.	DESCRIPTION	QTY.	MSRP
ADM-M-SERIES	manual, m-series	1	
ADM-Cuff-Lynx	Cuff-Lynx instruction guide	1	
AD127	stop sign, register your product	1	
H110	Cuff-Lynx, 2" hose x 2" fem swivel Cuff-Lynx	1	\$3.99 ea
H141	Cuff-Lynx, 2" to 1.5" reducer	1	\$3.99 ea
H226	spout, drain, 45 degree	1	\$3.19 ea
H230	screw, 10-32 x 1/2" phil pan head, s/s	2	\$0.99 ea
H375	hanger, wire formed, hose	1	\$10.99 ea
G029	banana bag, mesh bag, yellow	1	\$3.99 ea



NAME	DATE	<b>MYTEE PRODUCTS, INC.</b> 888-679-1191	
DRAWN M. LaBarbera	5/24/11	TITLE:	
CHECKED		<b>M Series</b>	
<small>PROPRIETARY AND CONFIDENTIAL THE INFORMATION CONTAINED IN THIS DRAWING IS THE SOLE PROPERTY OF MYTEE PRODUCTS, INC. ANY REPRODUCTION IN PART OR AS A WHOLE WITHOUT THE WRITTEN PERMISSION OF MYTEE PRODUCTS, INC. IS PROHIBITED.</small>		SIZE DWG. NO. <b>D M5</b>	REV <b>0D</b>
SCALE: 1:4	DO NOT SCALE DRAWING	SHEET 1 OF 2	



NAME	DATE	MYTEE PRODUCTS, INC. 888-679-1191
M. LaBarbera	5/24/11	
DRAWN		TITLE
CHECKED		M Series
PROPRIETARY AND CONFIDENTIAL THE INFORMATION CONTAINED IN THIS DRAWING IS THE SOLE PROPERTY OF MYTEE PRODUCTS, INC. ANY REPRODUCTION IN PART OR AS A WHOLE WITHOUT THE WRITTEN PERMISSION OF MYTEE PRODUCTS, INC. IS PROHIBITED.		SCALE: 1:15
SIZE	DWG. NO.	REV
D	M5	od
DO NOT SCALE DRAWING		SHEET 2 OF 2