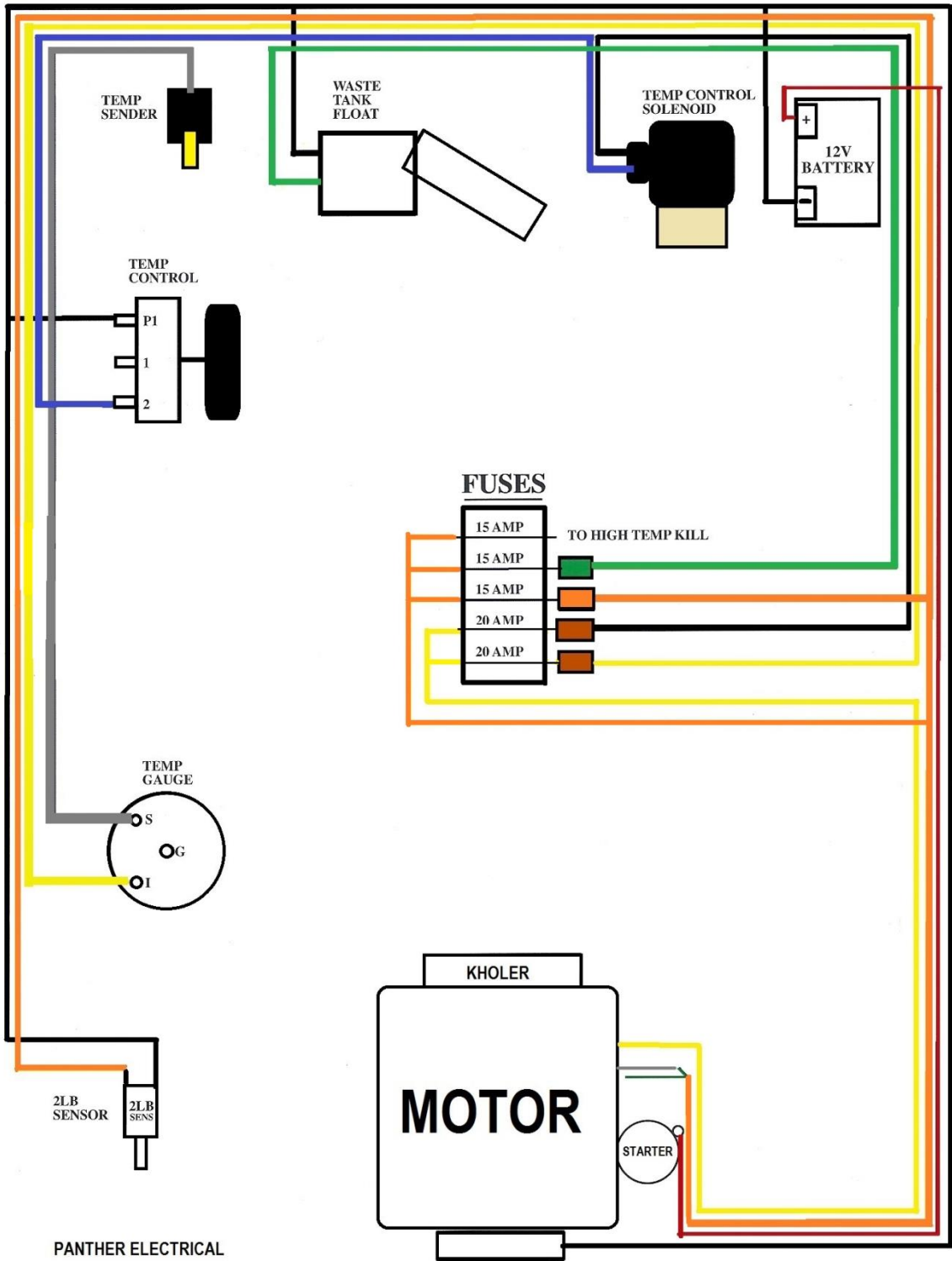


**PANTHER PLUMBING**



PANTHER ELECTRICAL